

NOTE TO APPROVER:  
 - EXPOSED MATERIAL IS SOLID ALDER  
 - INTERIOR IS CLR. FINISHED MAPLE PLY  
 - TOUCH LATCH DOORS  
 - BLUM EURO STYLE HINGE

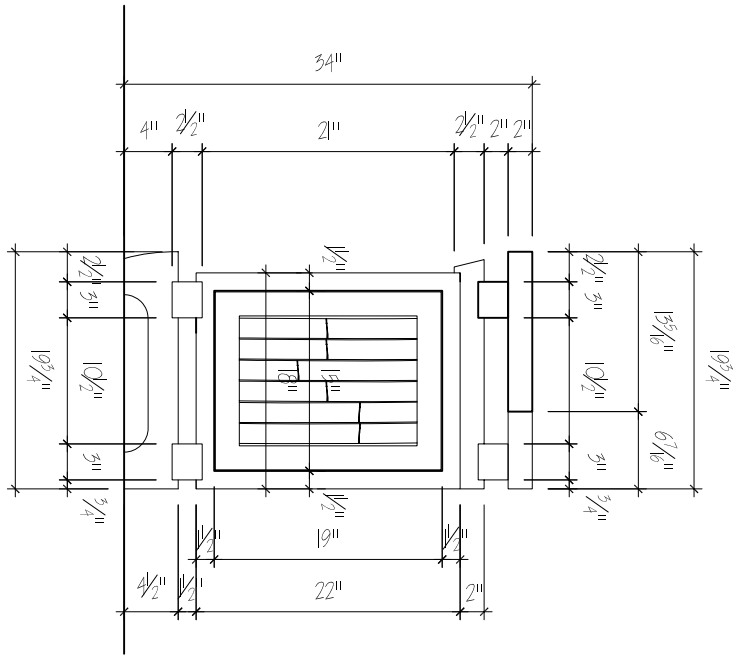
COWAN  
HAWAII

*Chad Retten*  
 Handcrafted Architectural Woodwork and Custom Interiors  
 p 831.475.4269 f 831.475.6969  
 chadretten.com

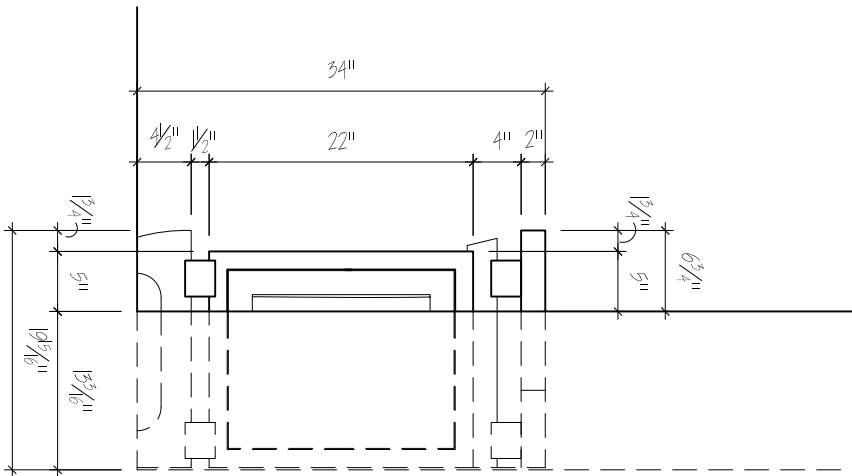
REVISIONS:	DATE	BY
1	9.19.07	

MASTER BEDRM  
 TV UNIT  
 PLAN & ELEV.  
 DATE: 9.10.07  
 DRAWN BY: JS  
 SCALE: 3/4" = 1'

5



2  
5.1 ELEVATION



1  
5.1 ELEVATION

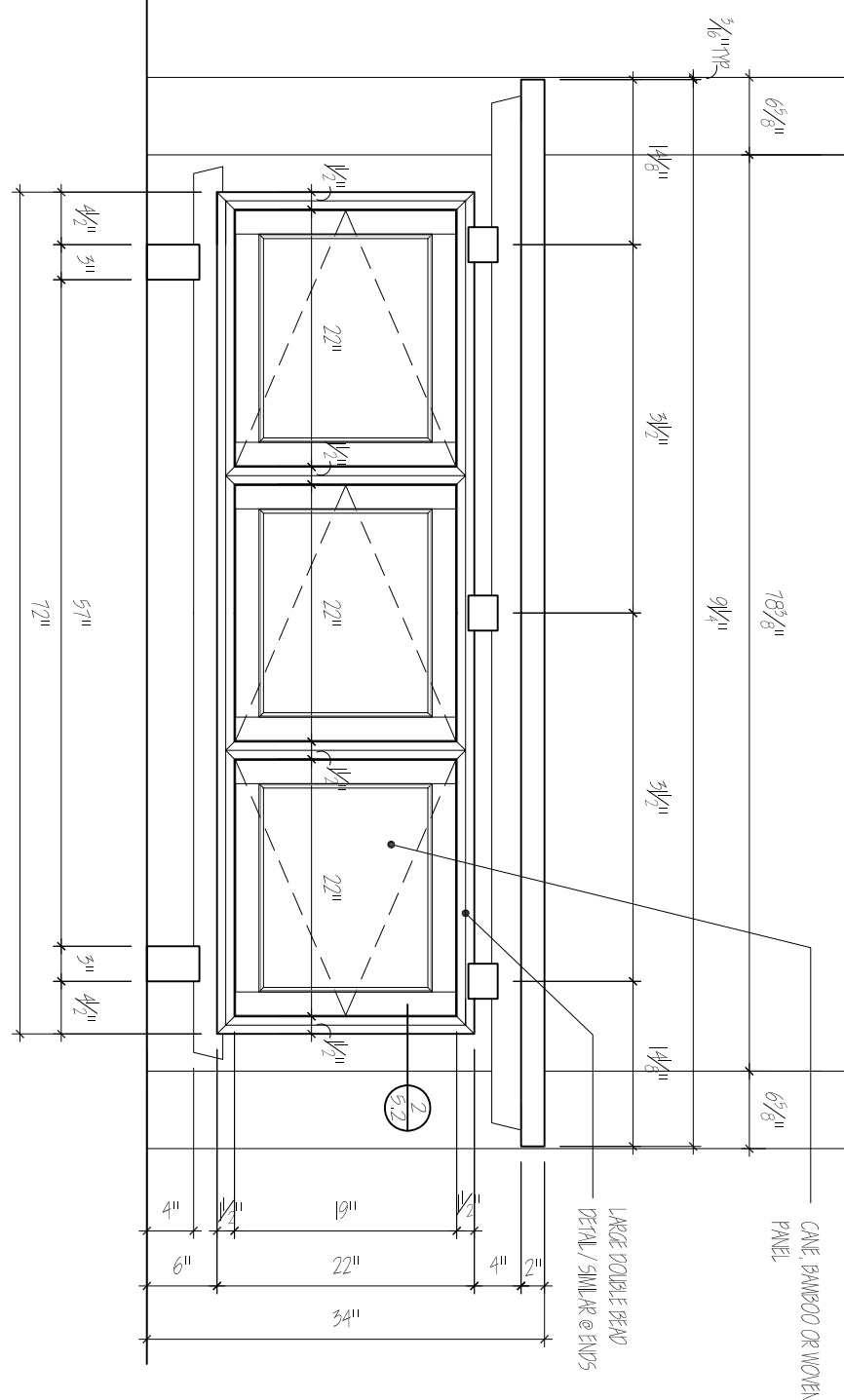
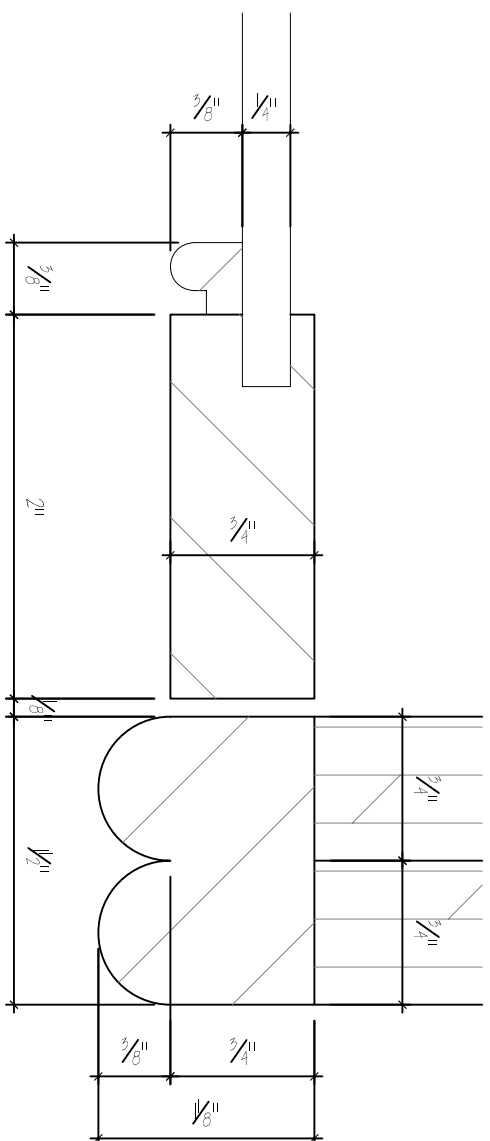
# COWAN HAWAII

*Chad Reitan*  
Handcrafted Architectural Woodwork and Custom Interiors  
p 831.475.4269 f 831.475.6969  
chadreitan.com

REVISIONS:	
R1	9.19.07

MASTER BEDRM  
TV UNIT  
ELEVATIONS  
DATE: 9.10.07  
DRAWN BY: 15  
SCALE: 3/4" = 1"

5.1



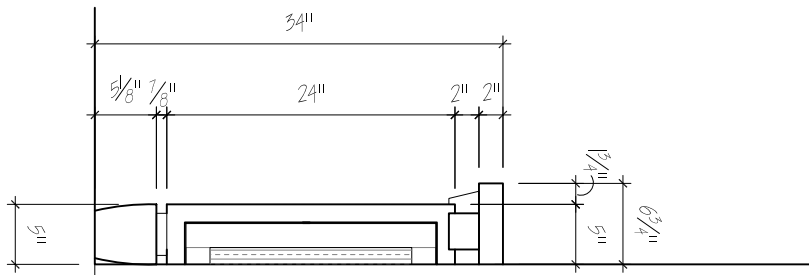
REVISIONS:	
R1	9/19/07
R2	9/20/07

Handcrafted Architectural Woodwork and Custom Interiors  
p 831.475.4269 f 831.475.6969  
chadrettan.com

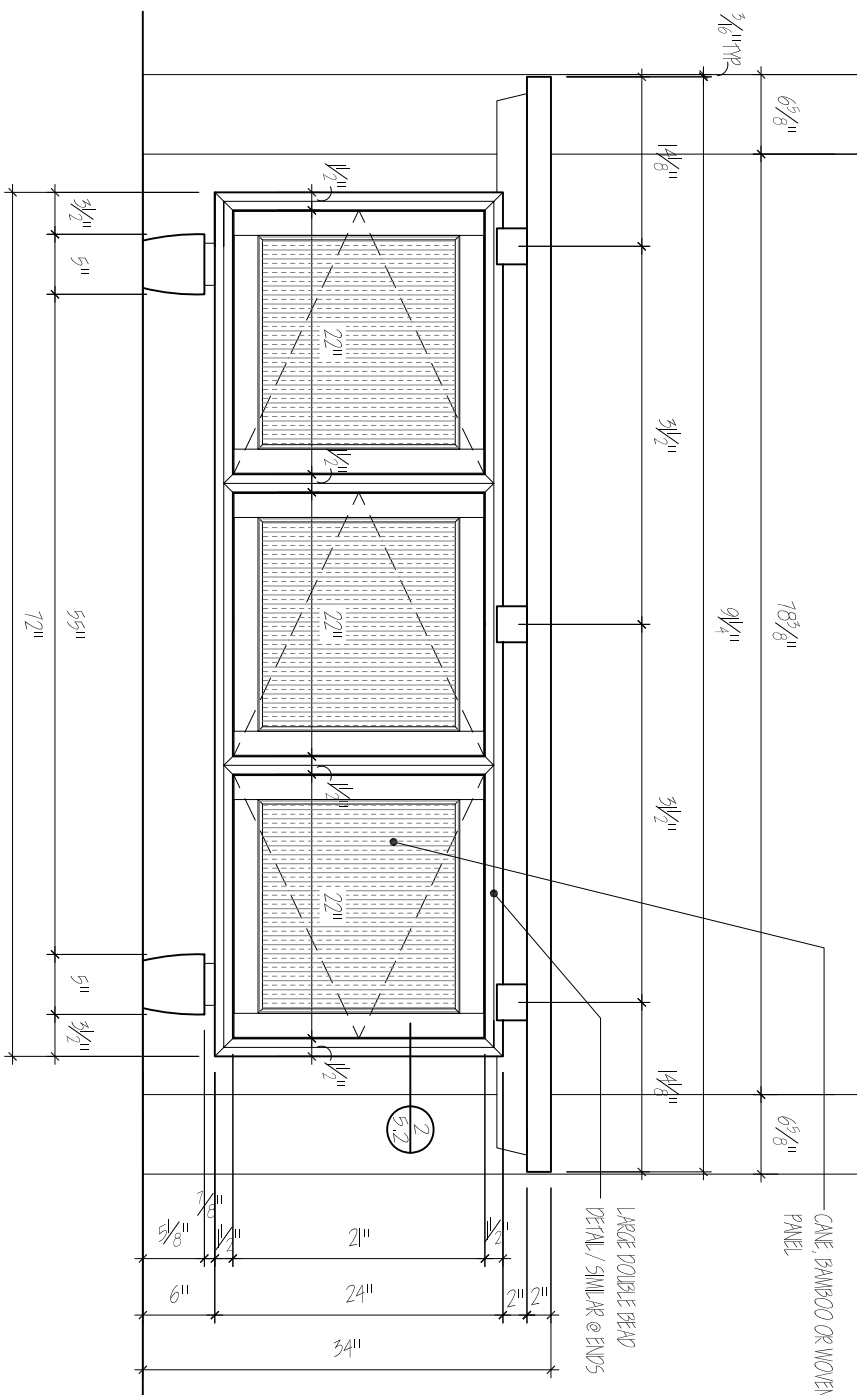
COWAN  
HAWAII

MASTER BEDRM  
TV UNIT  
ALTERNATIVE 1  
ELEVATION  
DATE: 9.10.07  
DRAWN BY: 15  
SCALE: NOTED

5.2



2 ALT. 2 ELEVATION  
5.3



1 ALTERNATIVE 2 ELEVATION  
5.3

MASTER BEDRM  
TV UNIT  
ALTERNATIVE 2  
ELEVATION  
DATE: 9/10/07  
DRAWN BY: JB  
SCALE: 3/4"=1'

COWAN  
HAWAII

*Chad Retan*  
Handcrafted Architectural Woodwork and Custom Interiors  
p 831.475.4269 f 831.475.6969  
chadretan.com

REVISIONS:	
R1	9/19/07
R2	9/20/07

5.3