

2 ELEVATION
 1A SCALE: 3/8" = 1'-0"

1 ELEVATION
 1A SCALE: 3/8" = 1'-0"

NOTE TO APPROVER:
 -EXPOSED MATERIAL IS CHARACTER GRADE ALDER
 -INTERIOR MATERIAL IS CLR. FINISHED MAPLE PLY.
 -CASING W/ CARVED DETAIL 1/8"
 -FINED SHELVES W/ GLASS PANEL
 -SHELF AND COUNTER EDGE ARE MATCHING
 -BASEBOARD TO MATCH EXISTING IN ROOM
 -TV LIFT MECH. SUPPLIED BY CRW INC.

SCRIVNER

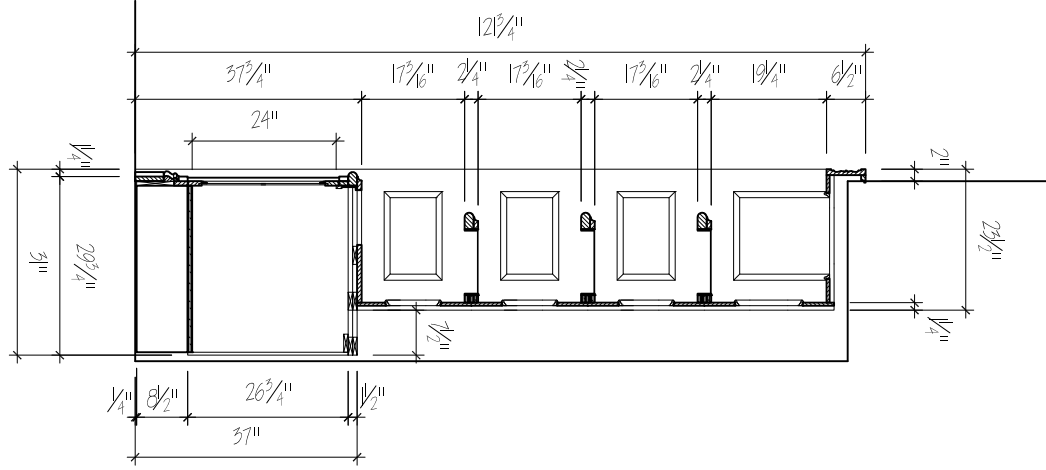
Chad Retan
 Handcrafted Architectural Woodwork and Custom Interiors
 p 831.475.4269 f 831.475.6969
 chadretan.com

REVISIONS:		
1	9.9.07	
2	9.19.07	

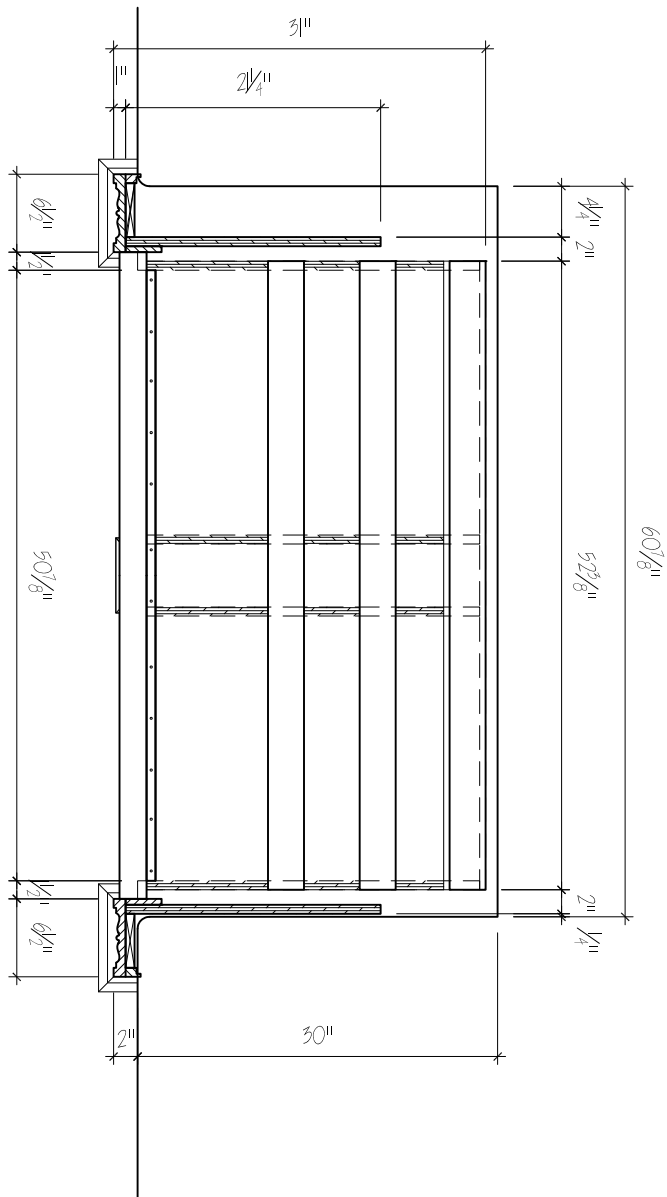
DESCRIPTION:
 ELEV. & PLAN
 DATE: 8.29.07
 DRAWN BY: JS
 SCALE: NOTED

1A

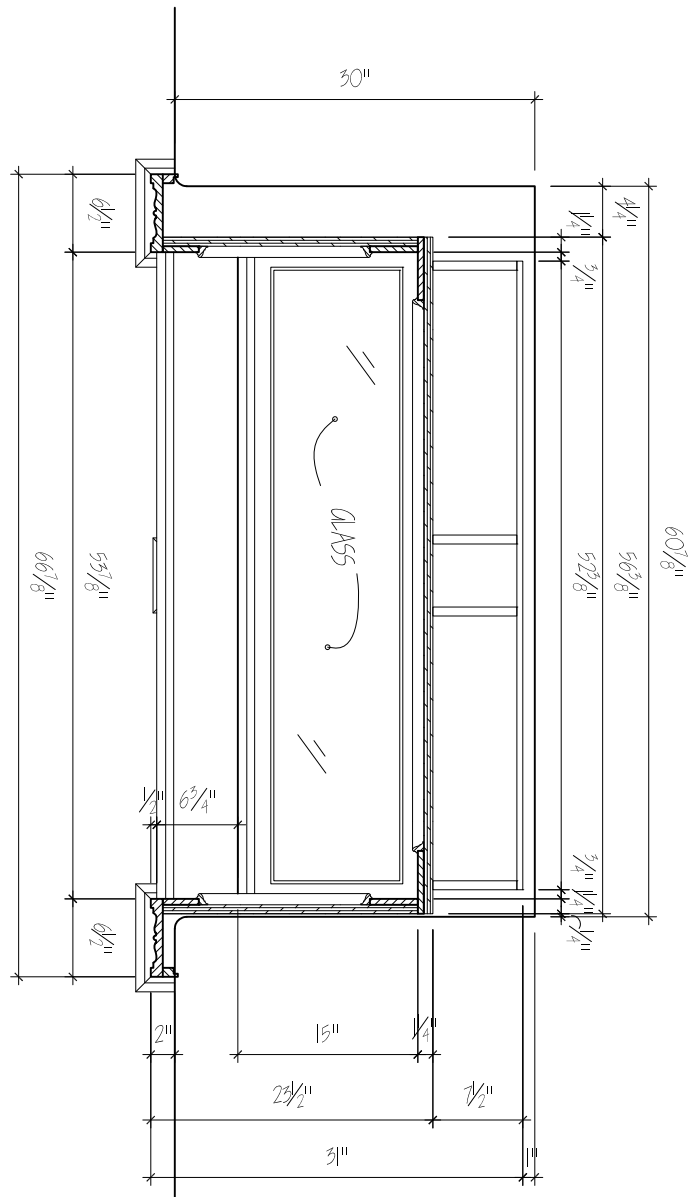
3 SECTION ELEVATION
2A SCALE: 3/8" = 1'-0"



1 SECTION PLAN
2A SCALE: 3/4" = 1'-0"



2 SECTION PLAN
2A SCALE: 3/4" = 1'-0"

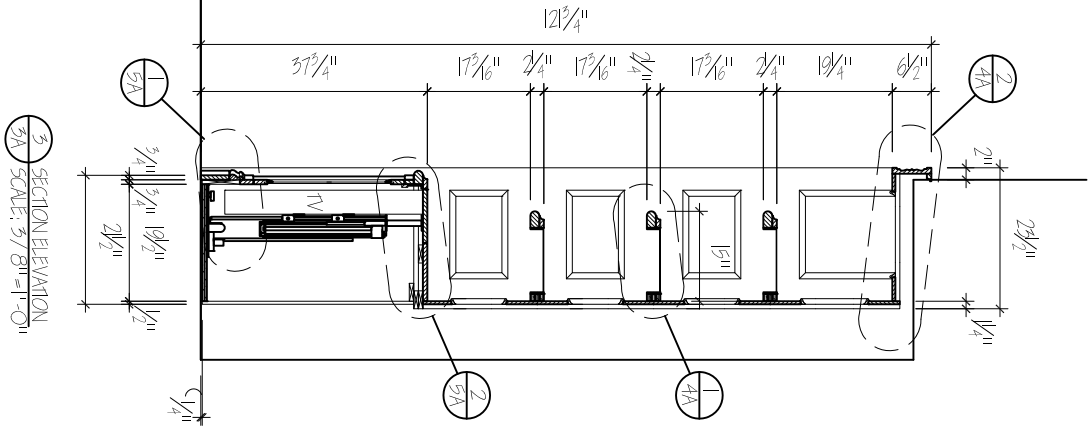


SCRIVNER

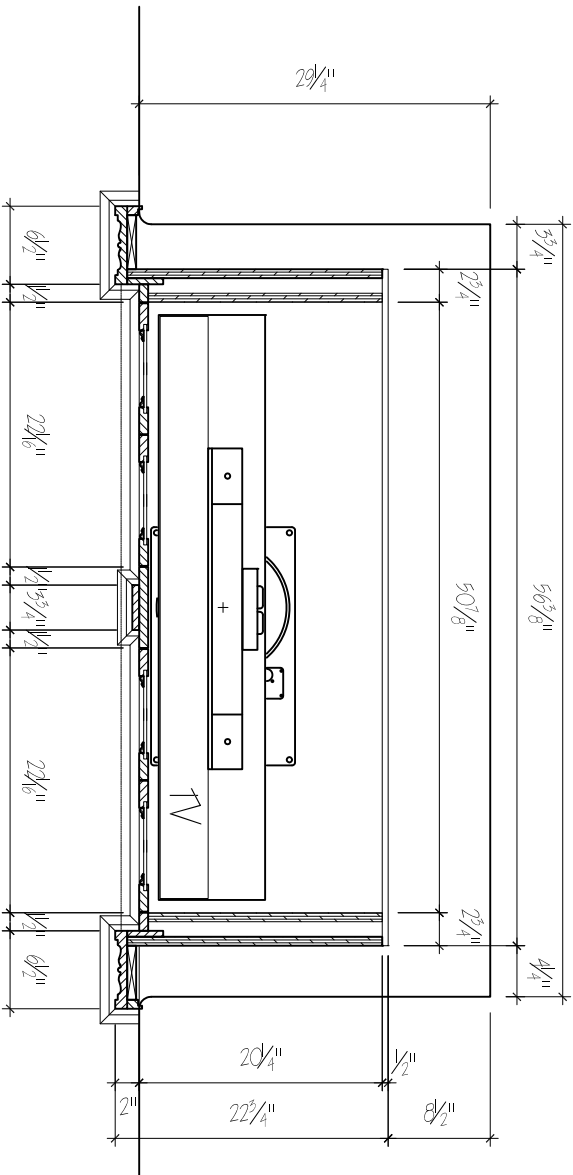
DESCRIPTION: SECTION PANELS
DATE: 8.29.07
DRAWN BY: 15
SCALE: NOTED
2A

Chad Rota
 Handcrafted Architectural Woodwork and Custom Interiors
 p 831.475.4269 f 831.475.6969
 chadrotan.com

REVISIONS:	1	9.9.07
	2	9.19.07

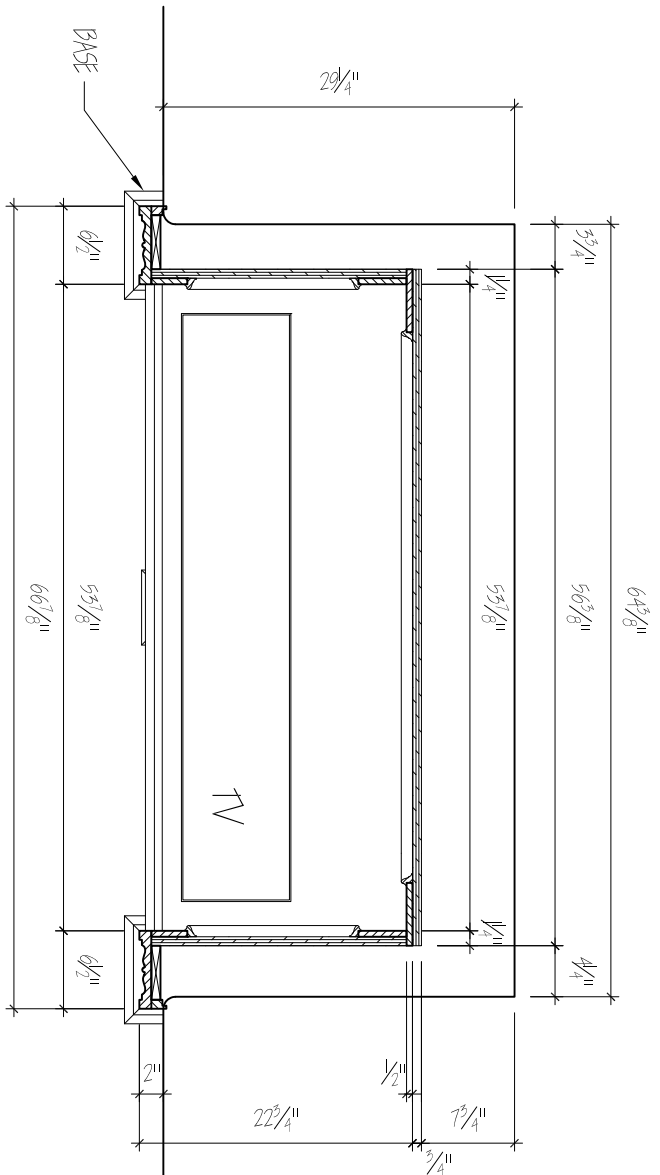


3 SECTION ELEVATION
3A SCALE: 3/8" = 1'-0"



1 SECTION PLAN
3A SCALE: 3/4" = 1'-0"

2 SECTION PLAN
3A SCALE: 3/4" = 1'-0"



SCRIVNER

DESCRIPTION:
SECTION
PANELS

DATE: 8.29.07

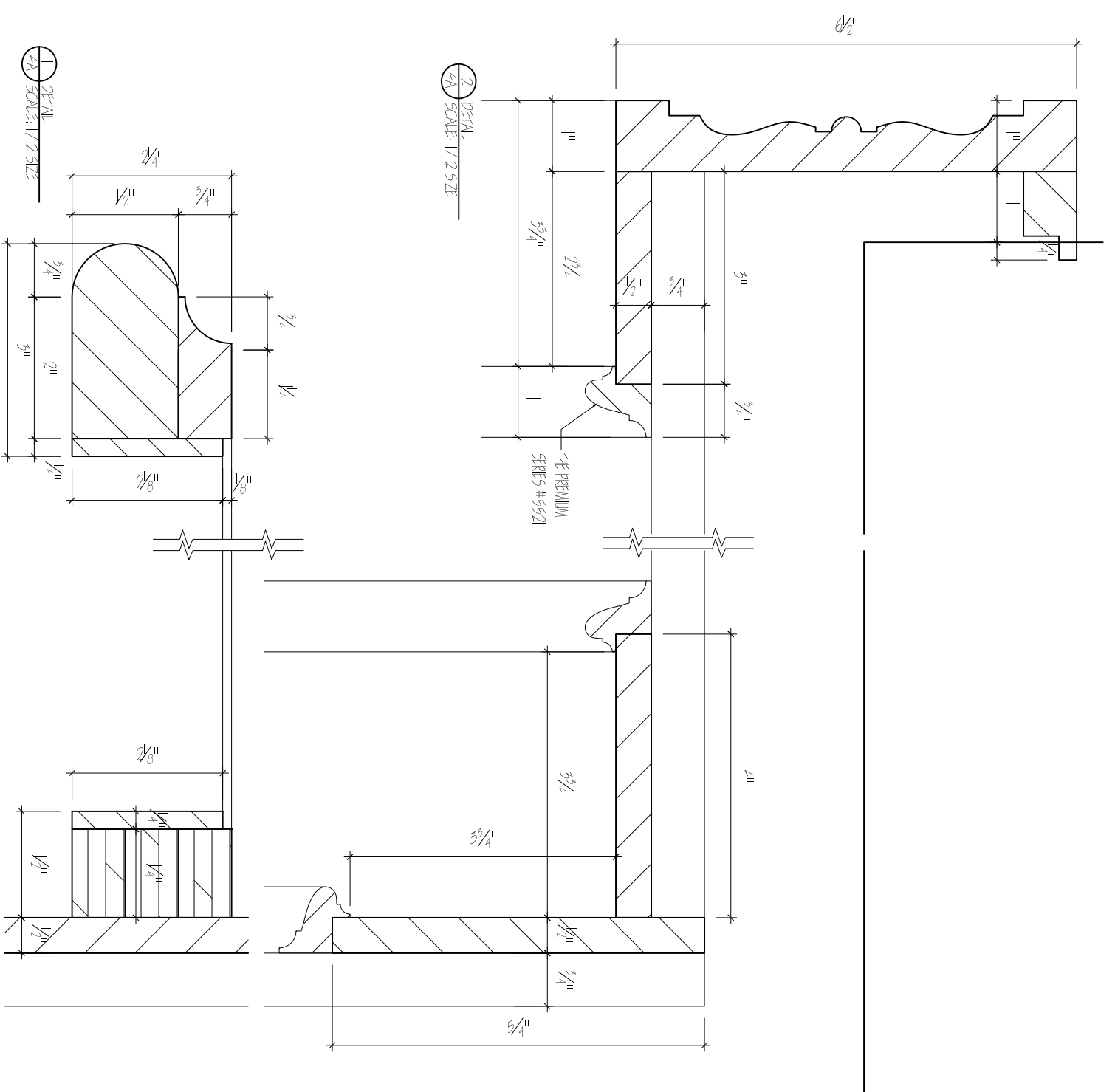
DRAWN BY: 15

SCALE: NOTED

3A

Chad Retan
 Handcrafted Architectural Woodwork and Custom Interiors
 p 831.475.4269 f 831.475.6969
 chadretan.com

REVISIONS:	
1	9.9.07
2	9.19.07



2
DETAIL
4A
SCALE: 1/2 SIZE

1
DETAIL
4A
SCALE: 1/2 SIZE

THE PREMIUM
SERIES #5521

SCRIVNER

DESCRIPTION:
DETAILS
PANELS

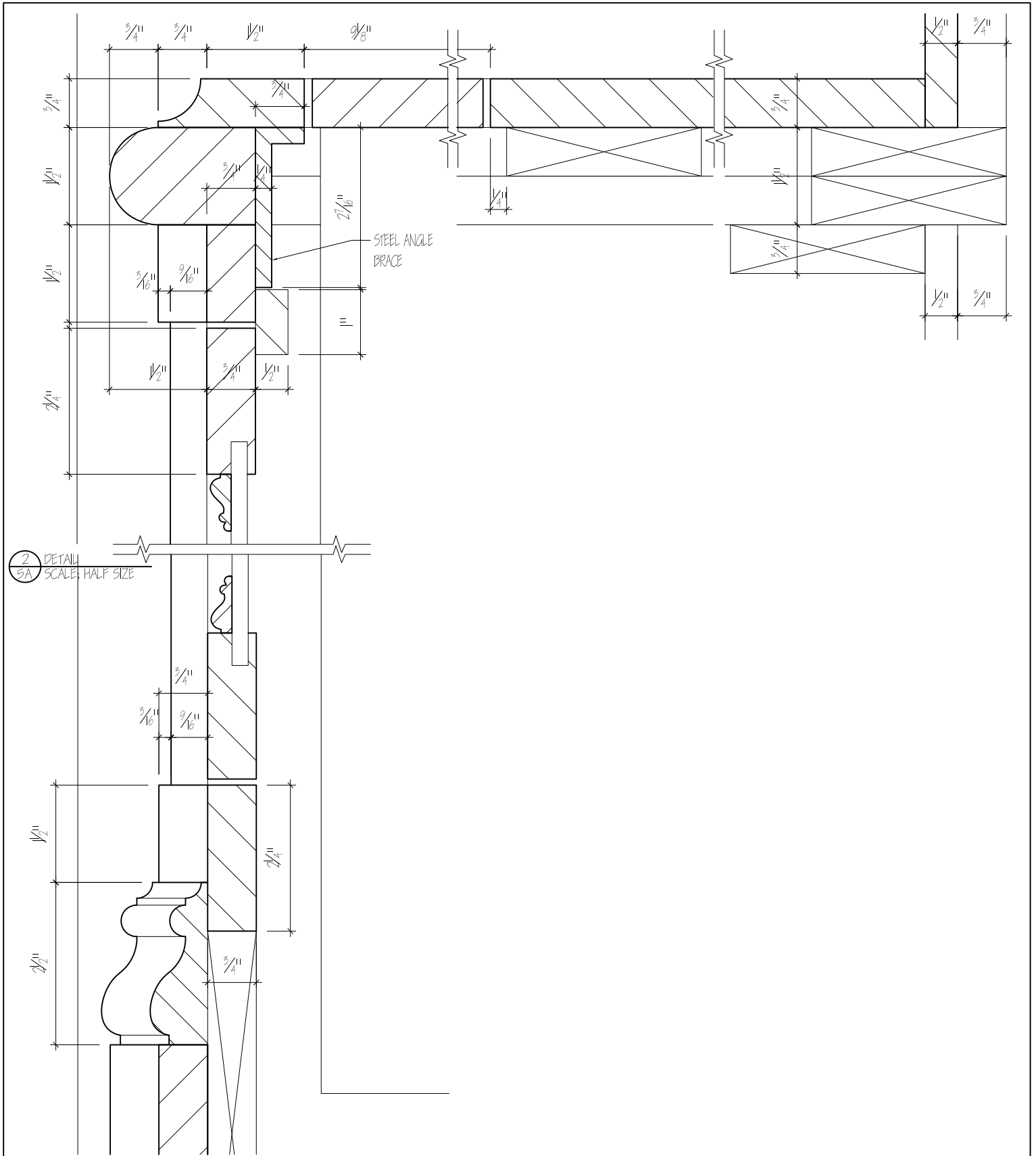
DATE: 8.29.07
DRAWN BY: JS
SCALE: NOTED

4A

Chad Retan


Handcrafted Architectural Woodwork and Custom Interiors
p 831.475.4269 f 831.475.6969
chadretan.com

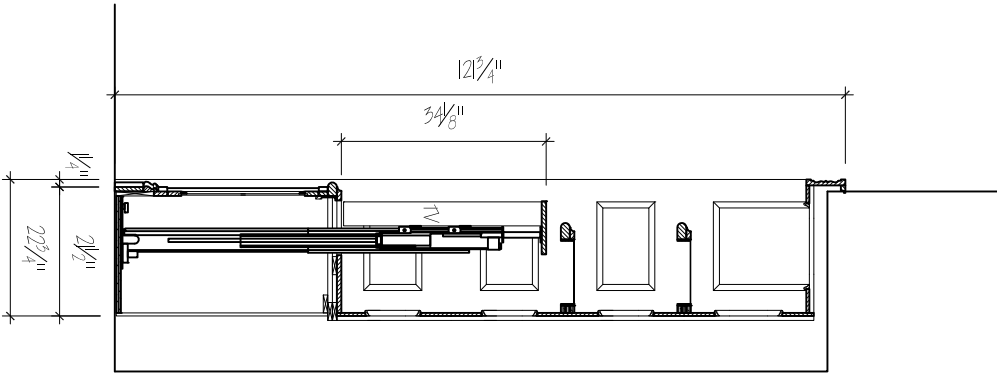
REVISIONS:	
1	9.9.07
2	9.19.07



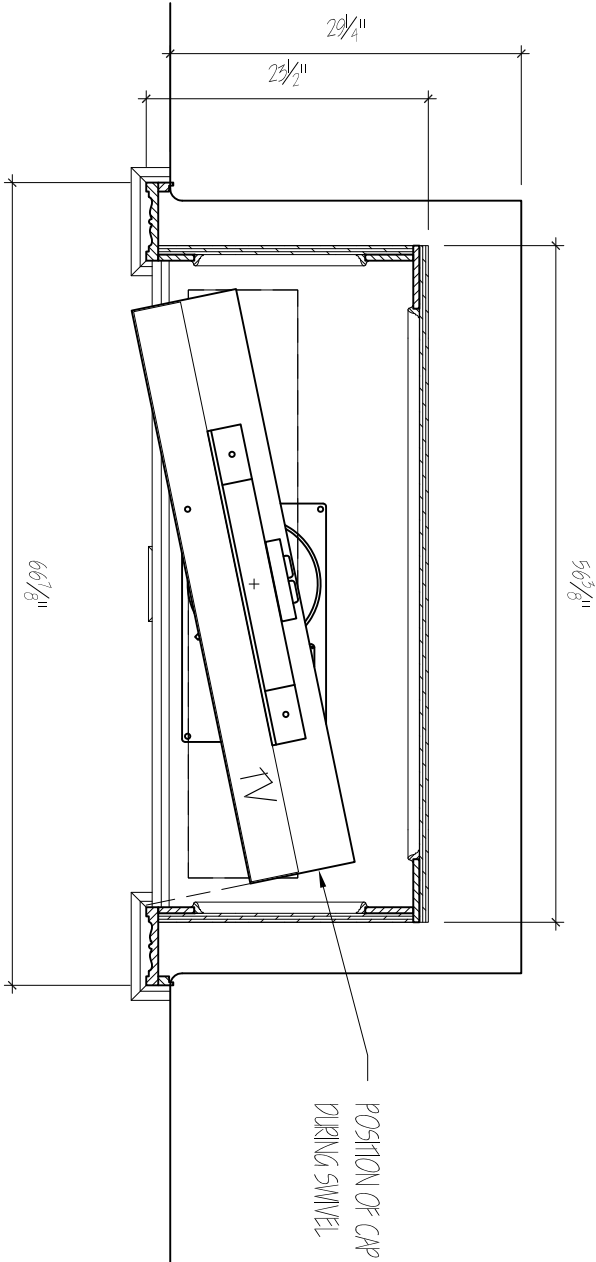
2 DETAIL
5A SCALE: HALF SIZE

1 DETAIL
5A SCALE: HALF SIZE

5A	DATE: 8.29.07	SCRIVNER	 Handcrafted Architectural Woodwork and Custom Interiors p 831.475.4269 f 831.475.6969 chadreitan.com	REVISIONS:
	SCALE: NOTED			1 9.9.07
DESCRIPTION: DETAILS	DRAWN BY: 15			2 9.19.07



2 SECTION ELEVATION
6A SCALE: 3/8" = 1'-0"



1 SECTION PLAN
6A SCALE: 3/4" = 1'-0"

SCRIVNER

DESCRIPTION:
SECTIONS

DATE: 8.29.07

DRAWN BY: JS

SCALE: NOTED

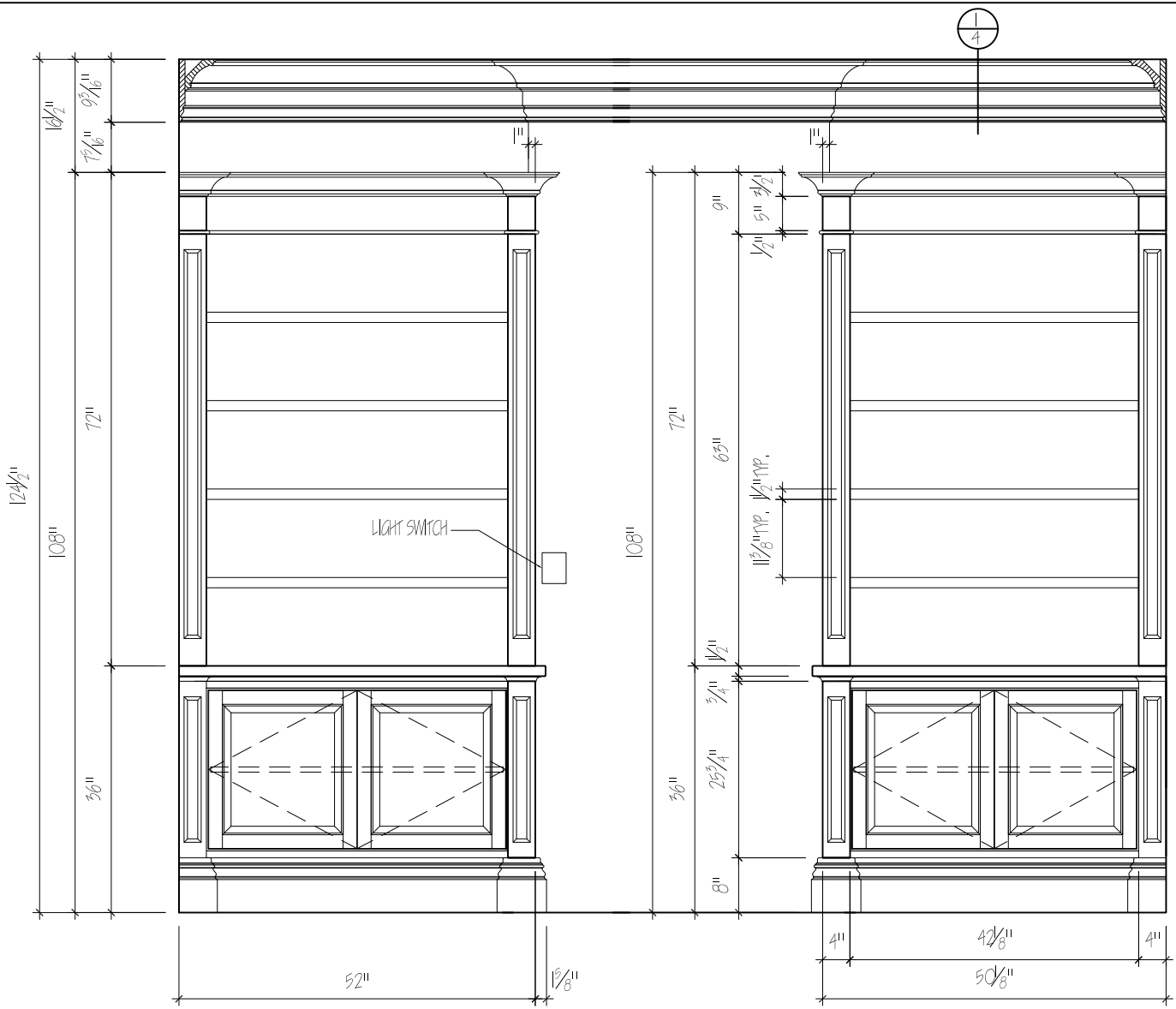
6A



Handcrafted Architectural Woodwork and Custom Interiors
p 831.475.4269 f 831.475.6969
chadrotan.com

REVISIONS:

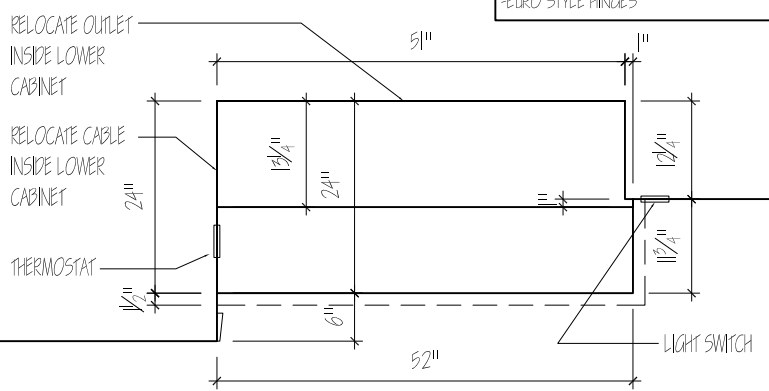
1	9.9.07
2	9.19.07



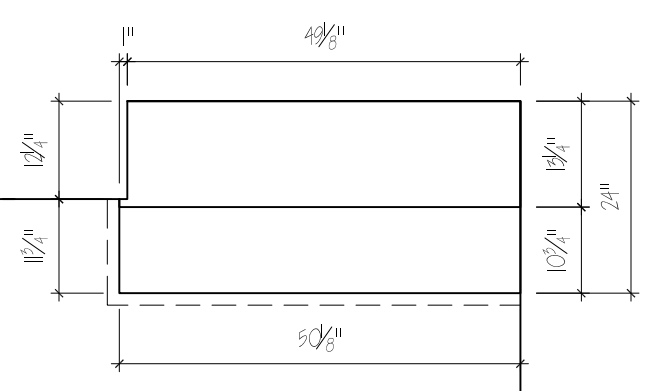
2 ELEVATION
3

NOTE TO APPROVER:
 -EXPOSED MATERIAL IS PAINT GRADE
 -INTERIOR MATERIAL IS CLR. FINISHED MAPLE PLY.
 -BASEBOARD TO MATCH EXISTING IN ROOM
 -EURO STYLE HINGES

4 ELEVATION
3



1 PLAN
3



3 PLAN
3

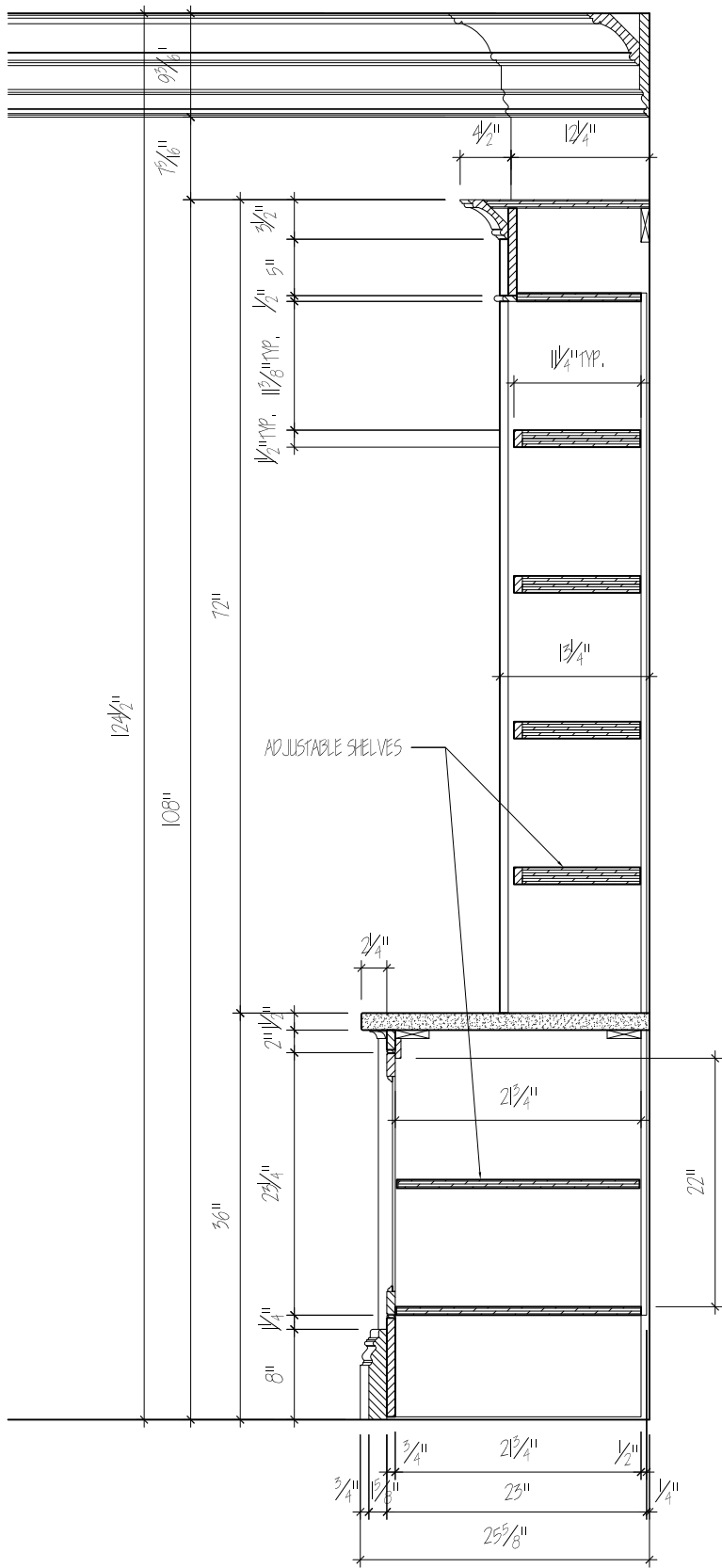
3

MASTER BEDRM.
 BOOKCASE
 ELEVATIONS & PLANS
 DATE: 9.24.07
 DRAWN BY: IS
 SCALE: 1/2" = 1"

SCRIVNER

Chad Retan
 Handcrafted Architectural Woodwork and Custom Interiors
 p 831.475.4269 f 831.475.6969
 chadretan.com

REVISIONS:



1 SECTION ELEVATION
4 SCALE: 3/4"=1'

4	MASTER DESIGNER
	BOOKCASES SECTION
	DATE: 9.24.07
	DRAWN BY: IS
SCALE: NOTED	

SCRIVNER

 Handcrafted Architectural Woodwork and Custom Interiors p 831.475.4269 f 831.475.6969 chadreitan.com	REVISIONS: